

Halogen Lamps

ECO Standard & Globe
ECO Candle
ECO Reflector
JC & JCD Capsule
J Linear
MR11, MR16, JCDR
PAR series

Luxtek®





ECO Halogen
Standard & Globe series

- Technical Advantages
- Long lifespan
 - High luminous efficacy
 - High lumen maintenance over 85%
 - High energy efficiency
 - High colour rendering (Ra=100)
 - Mercury free
 - Save 30% energy compare with incandescent bulbs



Model No.	Lumen	Wattage	Type	Energy Class	Lifetime	Voltage	Size (mm)	Base
HSG45 18W	205 lm	18 W	HSG45	D	2000 hrs	220~240V	Ø45 x 80 Ø45 x 72 Ø45 x 79 Ø45 x 71	E14 E27 B15 B22
HSG45 20W	235 lm	20 W						
HSG45 28W	370 lm	28 W						
HSG45 30W	410 lm	30 W						
HSG45 42W	625 lm	42 W						
HSG45 46W	702 lm	46 W						
HSG45 53W	835 lm	53 W						
HSA19 29W	310 lm	29 W	HSA19	C	1000 hrs	Ø60 X 107	E26	
HSA19 43W	750 lm	43 W						
HSA19 53W	1050 lm	53 W						
HSA19 72W	1490 lm	72 W						

Model No.	Lumen	Wattage	Type	Energy Class	Lifetime	Filament	Size (mm)	Base
HSA55 18W	205 lm	18 W	HSA55	D	2000 hrs	220~240V	Ø55 x 95 Ø55 x 94	E27 B22
HSA55 20W	235 lm	20 W						
HSA55 28W	370 lm	28 W						
HSA55 30W	410 lm	30 W						
HSA55 42W	625 lm	42 W						
HSA55 46W	702 lm	46 W						
HSA55 53W	835 lm	53 W						
HSA55 57W	920 lm	57 W						
HSA55 70W	1175 lm	70 W						
HSA55 77W	1326 lm	77 W						
HSA55 105W	1900 lm	105 W						
HSA55 116W	2137 lm	116 W						



CE RoHS REACH ErP

Tolerance of product dimension Length ± 2mm / Diameter ± 0.5mm

Luxtek®





C35 / CL35 / CT35

ECO Halogen
Candle series

Technical Advantages

- Long lifespan
- High luminous efficacy
- High lumen maintenance over 85%
- High energy efficiency
- High colour rendering (Ra=100)
- Mercury free
- Save 30% energy compare with incandescent bulbs



Model No.	Lumen	Wattage	Type	Energy Class	Lifetime	Voltage	Size (mm)	Base
HSC35 18W	205 lm	18 W	C35	D	2000 hrs	220~240V	Ø35 x 97 Ø35 x 92 Ø35 x 96 Ø35 x 91	E14 E27 B15 B22
HSC35 20W	235 lm	20 W						
HSC35 28W	370 lm	28 W						
HSC35 30W	410 lm	30 W						
HSC35 42W	625 lm	42 W						
HSC35 46W	702 lm	46 W						
HSC35 53W	835 lm	53 W						

Model No.	Lumen	Wattage	Type	Energy Class	Lifetime	Filament	Size (mm)	Base
HSCL35 18W	205 lm	18W	CL35	D	2000 hrs	220~240V	Ø35 x 119 Ø35 x 114 Ø35 x 118 Ø35 x 112	E14 E27 B15 B22
HSCL35 20W	370 lm	28W						
HSCL35 28W	625 lm	42W						
HSCT35 30W	205 lm	18W	CL35	D	2000 hrs	220~240V	Ø55 x 98 Ø55 x 97	E14 B15
HSCT35 42W	370 lm	28W						
HSCT35 46W	625 lm	42W						



RoHS REACH ErP

Tolerance of product dimension Length ± 2mm / Diameter ± 0.5mm

Luxtek®





R50 / R63 / R80

ECO Halogen
Reflector series

Technical Advantages

- Long lifespan
- High luminous efficacy
- High lumen maintenance over 80%
- High energy efficiency
- High colour rendering (Ra=100)
- Mercury free
- Save 30% energy compare with incandescent bulbs



Model No.	Lumen	Wattage	Type	Energy Class	Lifetime	Voltage	Size (mm)	Base
HSR50 18W	66 lm	18 W	R50	D	2000 hrs	220~240V	Ø50 x 85	E14
HSR50 20W	90 lm	20 W						
HSR50 28W	144 lm	28 W						
HSR50 30W	170 lm	30 W						
HSR50 42W	250 lm	42 W						
HSR50 46W	300 lm	46 W						
HSR63 28W	150 lm	28 W	R63	D	2000 hrs	220~240V	Ø63 x 103 Ø63 x 101	E27 B22
HSR63 30W	180 lm	30 W						
HSR63 42W	270 lm	42 W						
HSR63 46W	300 lm	46 W						
HSR63 53W	334 lm	53 W						
HSR63 57W	350 lm	57 W						

Model No.	Lumen	Wattage	Type	Energy Class	Lifetime	Filament	Size (mm)	Base
HSR80 28W	150 lm	28 W	R80	D	2000 hrs	220~240V	Ø80 x 115 Ø80 x 113	E27 B22
HSR80 42W	285 lm	42 W						
HSR80 46W	300 lm	46 W						
HSR80 53W	350 lm	53 W						
HSR80 57W	350 lm	57 W						
HSR80 70W	490 lm	70 W						
HSR80 77W	580 lm	77 W						



RoHS REACH ErP

Tolerance of product dimension Length ± 2mm / Diameter ± 0.5mm

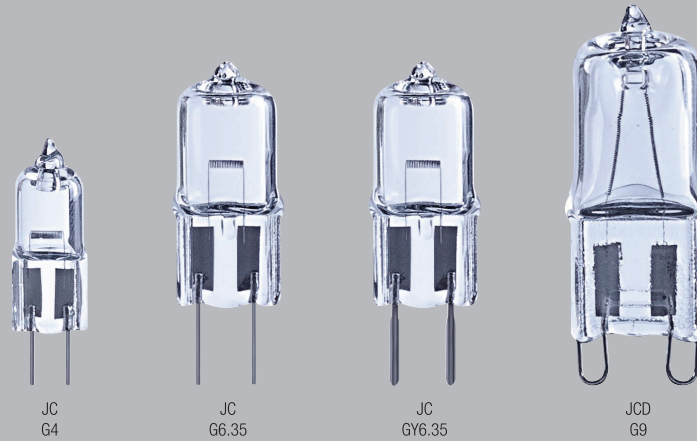


JC / JCD

Halogen
Capsule series

Technical Advantages

- Long lifespan
- High luminous efficacy
- High lumen maintenance over 85%
- High energy efficiency
- High colour rendering (Ra=100)
- Mercury free
- Save 30% energy compare with incandescent bulbs



JC
G4

JC
G6.35

JC
GY6.35

JCD
G9

Model No.	Lumen	Wattage	Type	Energy Class	Lifetime	Voltage	Size (mm)	Base
JC 5W	33 lm	5 W	JC	D	2000 hrs	12V	Ø8 x 30	G4
JC 7W	96 lm	7 W		B				
JC 10W	130 lm	10 W		C				
JC 14W	168 lm	14 W	JC	C	2000 hrs	12V	Ø8 x 30 Ø10 x 40 Ø10 x 40	G4 G6.35 GY6.35
JC 20W	255 lm	20 W						
JC 25W	346 lm	25 W						
JC 28W	400 lm	28 W						
JC 35W	556 lm	35 W						
JC 40W	630 lm	40 W	JC	C	2000 hrs	12V	Ø10 x 40 Ø10 x 40	G6.35 GY6.35
JC 50W	835 lm	50 W						

Model No.	Lumen	Wattage	Type	Energy Class	Lifetime	Filament	Size (mm)	Base
JCD 18W	205 lm	18 W	JCD	D	2000 hrs	220~240V	Ø12.8 x 41	G9
JCD 20W	235 lm	20 W						
JCD 28W	370 lm	28 W						
JCD 30W	410 lm	30 W						
JCD 42W	460 lm	33 W						
JCD 46W	590 lm	40 W						
JCD 53W	625 lm	42 W						
JCD 57W	702 lm	46 W						



RoHS REACH ErP

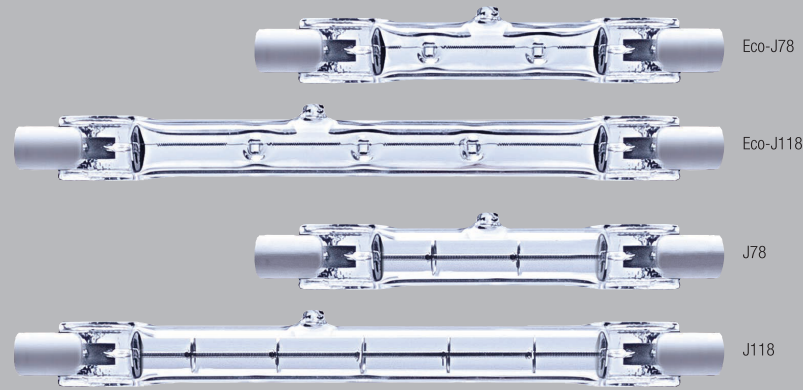
Tolerance of product dimension Length ± 2mm / Diameter ± 0.5mm



J78 / J118

Halogen
J Linear series

- Technical Advantages
- Long lifespan
 - High luminous efficacy
 - High lumen maintenance over 85%
 - High energy efficiency
 - High colour rendering (Ra=100)
 - Mercury free
 - Sturdy filament construction



Eco-J78

Eco-J118

J78

J118

Model No.	Lumen	Wattage	Type	Energy Class	Lifetime	Voltage	Size (mm)	Base
ECO-J78 80W	1380 lm	80 W	ECO-J78	C	2000 hrs	220~240V	Ø8 x 78	R7S
ECO-J78 120W	2220 lm	120 W	ECO-J78	C	2000 hrs	220~240V	Ø8 x 78	R7S
ECO-J118 120W	2220 lm	120 W	ECO-J118	C	2000 hrs	220~240V	Ø10 x 118	R7S
ECO-J118 160W	3090 lm	160 W	ECO-J118	C	2000 hrs	220~240V	Ø10 x 118	R7S
ECO-J118 230W	4650 lm	230 W	ECO-J118	C	2000 hrs	220~240V	Ø10 x 118	R7S
ECO-J118 400W	8550 lm	400 W	ECO-J118	C	2000 hrs	220~240V	Ø10 x 118	R7S

Model No.	Lumen	Wattage	Type	Energy Class	Lifetime	Filament	Size (mm)	Base
J78 18W	980 lm	60 W	J78	D	2000 hrs	220~240V	Ø8 x 78	R7S
J78 20W	1800 lm	100 W	J78	D	2000 hrs	220~240V	Ø8 x 78	R7S
J118 28W	980 lm	60 W	J118	E	2000 hrs	220~240V	Ø10 x 118	R7S
J118 30W	1800 lm	100 W	J118	E	2000 hrs	220~240V	Ø10 x 118	R7S



CE RoHS REACH ErP

Tolerance of product dimension Length ± 2mm / Diameter ± 0.5mm



MR11 / MR16 / JCDR

Halogen
Dichroic series

- Technical Advantages
- Long lifespan
 - High luminous efficacy
 - High lumen maintenance over 80%
 - High energy efficiency
 - High colour rendering (Ra=100)
 - Mercury free



MR11

MR16

JCDR

Model No.	Lumen	Intensity	Wattage	Type	Energy Class	Lifetime	Voltage	Beam Angle	Size (mm)	Base
ECO-MR11 20W	201 lm	700 cd	20 W	MR11	B	2000 hrs	12V	30°	Ø35 x 34	GU4
ECO-MR11 35W	427 lm	1000 cd	35 W	MR11	B	2000 hrs	12V	30°	Ø35 x 34	GU4
ECO-MR11 50W	675 lm	1500 cd	50 W	MR11	B	2000 hrs	12V	30°	Ø35 x 34	GU4
ECO-MR16 18W	174 lm	400 cd	18 W	MR16	B	2000 hrs	12V	38°	Ø50 x 45	GU5.3
ECO-MR16 20W	201 lm	600 cd	20 W	MR16	B	2000 hrs	12V	38°	Ø50 x 45	GU5.3
ECO-MR16 28W	320 lm	730 cd	28 W	MR16	B	2000 hrs	12V	38°	Ø50 x 45	GU5.3
ECO-MR16 35W	427 lm	900 cd	35 W	MR16	B	2000 hrs	12V	38°	Ø50 x 45	GU5.3
ECO-MR16 42W	540 lm	1300 cd	42 W	MR16	B	2000 hrs	12V	38°	Ø50 x 45	GU5.3
ECO-MR16 50W	675 lm	1500 cd	50 W	MR16	B	2000 hrs	12V	38°	Ø50 x 45	GU5.3
JCDR 28W	200 lm	560 cd	28 W	JCDR	D	2000 hrs	12V	38°	Ø50 x 53	GU10
JCDR 40W	300 lm	800 cd	40 W	JCDR	D	2000 hrs	12V	38°	Ø50 x 53	GU10
JCDR 42W	310 lm	800 cd	42 W	JCDR	D	2000 hrs	12V	38°	Ø50 x 53	GU10

Model No.	Lumen	Intensity	Wattage	Type	Energy Class	Lifetime	Voltage	Beam Angle	Size (mm)	Base
MR11 20W	65 lm	150 cd	10 W	MR11	C	2000 hrs	12V	30°	Ø35 x 34	GU4
MR11 35W	160 lm	500 cd	20 W	MR11	C	2000 hrs	12V	30°	Ø35 x 34	GU4
MR11 50W	315 lm	650 cd	35 W	MR11	C	2000 hrs	12V	30°	Ø35 x 34	GU4
MR16 18W	180 lm	400 cd	20 W	MR16	B	2000 hrs	12V	38°	Ø50 x 45	GU5.3
MR16 20W	315 lm	730 cd	35 W	MR16	B	2000 hrs	12V	38°	Ø50 x 45	GU5.3
MR16 28W	450 lm	1000 cd	50 W	MR16	B	2000 hrs	12V	38°	Ø50 x 45	GU5.3
JCDR 20W	90 lm	350 cd	20 W	JCDR	D	2000 hrs	12V	38°	Ø50 x 45	GU10
JCDR 35W	200 lm	560 cd	35 W	JCDR	D	2000 hrs	12V	38°	Ø50 x 45	GU10
JCDR 50W	300 lm	800 cd	50 W	JCDR	D	2000 hrs	12V	38°	Ø50 x 45	GU10



Tolerance of product dimension Length ± 2mm / Diameter ± 0.5mm



PAR20 / PAR30 / PAR38

Halogen
PAR series

- Technical Advantages
- Long lifespan
 - High luminous efficacy
 - High lumen maintenance
 - High colour rendering (Ra=100)
 - Mercury free
 - Optional colours available



PAR20



PAR30



PAR38

Model No.	Lumen	Intensity	Wattage	Type	Energy Class	Lifetime	Voltage	Size (mm)	Base
PAR20 50W	550 lm	1000 cd	50 W	PAR20	E	1500 hrs	220~240V	Ø65 x 82	E27
PAR20 75W	825 lm	1200 cd	75 W	PAR20	E	1500 hrs	220~240V	Ø65 x 82	E27
PAR20 100W	1100 lm	1400 cd	100 W	PAR20	E	1500 hrs	220~240V	Ø65 x 82	E27
PAR30 50W	630 lm	1000 cd	50 W	PAR30	E	1500 hrs	220~240V	Ø96 x 91	E27
PAR30 75W	975 lm	1200 cd	75 W	PAR30	E	1500 hrs	220~240V	Ø96 x 91	E27
PAR30 100W	1300 lm	1400 cd	100 W	PAR30	E	1500 hrs	220~240V	Ø96 x 91	E27
PAR30 150W	1950 lm	3000 cd	150 W	PAR30	E	1500 hrs	220~240V	Ø96 x 91	E27

Model No.	Lumen	Intensity	Wattage	Type	Energy Class	Lifetime	Voltage	Size (mm)	Base
PAR38 75W	1125 lm	1200 cd	75W	PAR38	E	1500 hrs	220~240V	Ø123 x 132	E27
PAR38 100W	1500 lm	1400 cd	100W	PAR38	E	1500 hrs	220~240V	Ø123 x 132	E27
PAR38 150W	2250 lm	3000 cd	150W	PAR38	E	1500 hrs	220~240V	Ø123 x 132	E27



RoHS

REACH

ErP

Tolerance of product dimension Length ± 2mm / Diameter ± 0.5mm



Address : 1/F Green 18, No.18 Science Park
East Avenue, Shatin, Hong Kong

Tel : (852) 23452772 Web : www.stll.com
Fax : (852) 23574860 Email : info@stll.com

