

# LED Lamps

**Luxtek**<sup>®</sup>





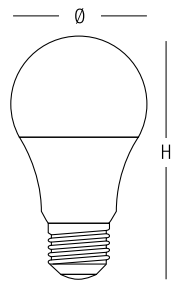
## LED Retrofit Lamps Standard & Globe series

### Technical Advantages

- Long lifespan
- High luminous efficacy
- High energy efficiency
- High colour rendering
- Mercury free
- Zero UV emission
- Save 80-90% energy compare with incandescent bulbs

### Product features

- Direct replacement of incandescent bulbs
- Various colour temperatures available
- Excellent heat disperse
- Dimmable version available



LG45	
E14	Ø45 x 78H mm
B15	Ø45 x 77H mm
E27	Ø45 x 70H mm
B22	Ø45 x 69H mm
LA60	
E27	Ø59 x 105H mm
B22	Ø59 x 104H mm
LA67	
E27	Ø67 x 125H mm
B22	Ø67 x 124H mm

CE RoHS  
REACH ErP

Tolerance of product dimension Length ± 2mm / Diameter ± 0.5mm

G45  
A60 / A67



### Non-dimmable version

Model No.	Energy Class	Lumen	Wattage	Product Photo	Incandescent Equivalent	Colour Temperature	Lifetime	CRI	Voltage	Light Distribution	Base
LG45	A+	300 lm	4W	1	25W	2700 / 3000 / 4000 / 6500 K	15000 hrs	≥80	220~240V	165°	E27 / B22 E14 / B15
LA60	A+	300 lm	4W	2	25W	2700 / 3000 / 4000 / 6500 K	15000 hrs	≥80	220~240V	165°	E27 / B22
		500 lm	6W	2	40W						
		810 lm	10W	2	60W						
LA67	A+	1055 lm	13W	3	75W	2700 / 3000 / 4000 / 6500 K	15000 hrs	≥80	220~240V	165°	E27 / B22

### Dimmable version

Model No.	Energy Class	Lumen	Wattage	Product Photo	Incandescent Equivalent	Colour Temperature	Lifetime	CRI	Voltage	Light Distribution	Base
LA60 Dim	A+	300 lm	4W	2	25W	2700 / 3000 / 4000 / 6500 K	15000 hrs	≥80	220~240V	165°	E27 / B22
		470 lm	6W	2	40W						
LA67 Dim	A+	810 lm	10W	3	65W	2700 / 3000 / 4000 / 6500 K	15000 hrs	≥80	220~240V	165°	E27 / B22

Luxtek®





## LED Retrofit Lamps Globe series

### Technical Advantages

- Long lifespan
- High luminous efficacy
- High energy efficiency
- High colour rendering
- Mercury free
- Zero UV emission
- Save 80-90% energy compare with incandescent bulbs

### Product features

- Direct replacement of incandescent bulbs
- Various colour temperatures available
- Excellent heat disperse
- Dimmable version available

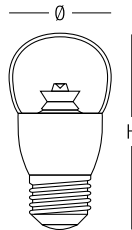


Non-dimmable version

Model No.	Energy Class	Lumen	Wattage	Product Photo	Incandescent Equivalent	Colour Temperature	Lifetime	CRI	Voltage	Light Distribution	Base
LG45	A+	300 lm	4W	1	25W	2700 / 3000 K 4000 / 6500 K	15000 hrs	≥80	220~240V	140°	E14 / E27 B22 / B15
		470 lm	6W	1	40W						
LG45F	A+	300 lm	4W	2	25W	2700 / 3000 K 4000 / 6500 K	15000 hrs	≥80	220~240V	140°	E14 / E27 B22 / B15
		470 lm	6W	2	40W						

Dimmable version

Model No.	Energy Class	Lumen	Wattage	Product Photo	Incandescent Equivalent	Colour Temperature	Lifetime	CRI	Voltage	Light Distribution	Base
LG45 Dim	A+	300 lm	4W	1	25W	2700 / 3000 K 4000 / 6500 K	15000 hrs	≥80	220~240V	140°	E14 / E27 B22 / B15
		470 lm	6W	1	40W						
LG45F Dim	A+	300 lm	4W	2	25W	2700 / 3000 K 4000 / 6500 K	15000 hrs	≥80	220~240V	140°	E14 / E27 B22 / B15
		470 lm	6W	2	40W						



Product Photo 1, 2	
E14	Ø43 x 89H mm
B15	Ø43 x 88H mm
E27	Ø43 x 86H mm
B22	Ø43 x 85H mm

**Luxtek®**





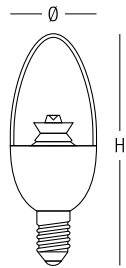
## LED Retrofit Lamps Candle series

### Technical Advantages

- Long lifespan
- High luminous efficacy
- High energy efficiency
- High colour rendering
- Mercury free
- Zero UV emission
- Save 80-90% energy compare with incandescent bulbs

### Product features

- Direct replacement of incandescent bulbs
- Various colour temperatures available
- Excellent heat disperse
- Dimmable version available



Product Photo 1, 3	
E14	Ø35 x 98H mm
B15	Ø35 x 97H mm
Product Photo 2, 4	
E14	Ø38 x 108H mm
B15	Ø38 x 107H mm
E27	Ø38 x 105H mm
B22	Ø38 x 104H mm



### Non-dimmable version

Model No.	Energy Class	Lumen	Wattage	Product Photo	Incandescent Equivalent	Colour Temperature	Lifetime	CRI	Voltage	Light Distribution	Base
LC35	A+	300 lm	4W	1	25W	2700 / 3000 / 4000 / 6500 K	15000 hrs	≥80	220~240V	150°	E14 / B15
LC38	A+	300 lm	4W	2	25W	2700 / 3000 K 4000 / 6500 K	15000 hrs	≥80	220~240V	140°	E14 / E27 B22 / B15
		470 lm	6W	2	40W						
LC35F	A+	300 lm	4W	3	25W	2700 / 3000 / 4000 / 6500 K	15000 hrs	≥80	220~240V	185°	E14 / B15
LC38F	A+	300 lm	4W	4	25W	2700 / 3000 K 4000 / 6500 K	15000 hrs	≥80	220~240V	140°	E14 / E27 B22 / B15
		470 lm	6W	4	40W						

### Dimmable version

Model No.	Energy Class	Lumen	Wattage	Product Photo	Incandescent Equivalent	Colour Temperature	Lifetime	CRI	Voltage	Light Distribution	Base
LC38	A+	300 lm	4W	2	25W	2700 / 3000 K 4000 / 6500 K	15000 hrs	≥80	220~240V	140°	E14 / E27 B22 / B15
		470 lm	6W	2	40W						
LC38F	A+	300 lm	4W	4	25W	2700 / 3000 K 4000 / 6500 K	15000 hrs	≥80	220~240V	140°	E14 / E27 B22 / B15
		470 lm	6W	4	40W						

**Luxtek**<sup>®</sup>







## LED Retrofit Lamps Reflector series

### Technical Advantages

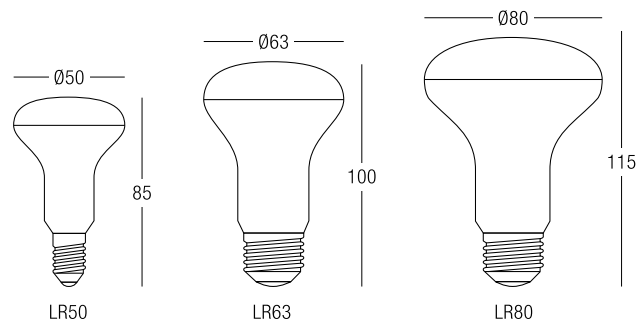
- Long lifespan
- High luminous efficacy
- High energy efficiency
- High colour rendering
- Mercury free
- Zero UV emission
- Save 80-90% energy compare with incandescent bulbs

### Product features

- Direct replacement of incandescent reflectors
- Various colour temperatures available
- Excellent heat disperse



Model No.	Energy Class	Lumen	Wattage	Incandescent Equivalent	Colour Temperature	Lifetime	CRI	Voltage	Beam Angle	Dimmable	Base
LR50	A+	300 lm	4W	40W	2700 / 3000 K 4000 / 6500 K	15000 hrs	≥80	220~240V	120°	No	E14
LR63	A+	480 lm	6W	60W	2700 / 3000 K 4000 / 6500 K	15000 hrs	≥80	220~240V	120°	No	E27
LR80	A	800 lm	10W	100W	2700 / 3000 K 4000 / 6500 K	15000 hrs	≥80	220~240V	120°	No	E27



Tolerance of product dimension Length  $\pm 2\text{mm}$  / Diameter  $\pm 0.5\text{mm}$

Luxtek®





## LED Retrofit Lamps Reflector series

### Technical Advantages

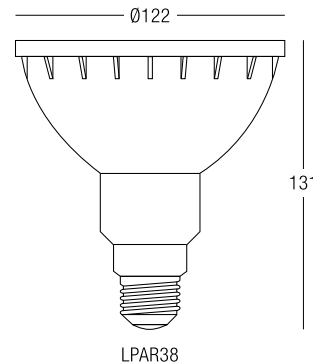
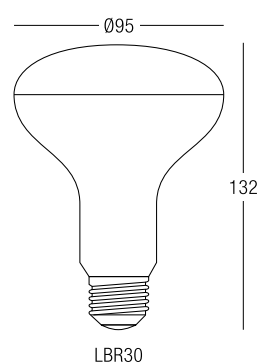
- Long lifespan
- High luminous efficacy
- High energy efficiency
- High colour rendering
- Mercury free
- Zero UV emission
- Save 80-90% energy compare with incandescent bulbs

### Product features

- Direct replacement of incandescent reflectors
- Various colour temperatures available
- Excellent heat disperse



Model No.	Energy Class	Lumen	Wattage	Incandescent Equivalent	Colour Temperature	Lifetime	CRI	Voltage	Beam Angle	Dimmable	Base
LBR30	A	650 lm	10W	65W	2700 / 3000 K 4000 / 6500 K	25000 hrs	≥80	120V	120°	Yes	E26
	A	850 lm	12W	68W							
LPAR38	A	760 lm	12W	67W	2700 / 3000 K 4000 / 6500 K	25000 hrs	≥80	120V	30°	Yes	E26
	A	1150 lm	15W	85W							



CE RoHS REACH ErP

Tolerance of product dimension Length ± 2mm / Diameter ± 0.5mm

Luxtek®





## LED Retrofit Lamps Dichroic Reflector series

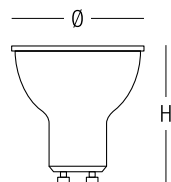
### Technical Advantages

- Long lifespan
- High luminous efficacy
- High energy efficiency
- High colour rendering
- Save 80-90% energy compare with halogen dichroic

### Product features

- Direct replacement of reflector
- Various colour temperatures available
- Excellent heat disperse

Model No.	Energy Class	Lumen	Wattage	Incandescent Equivalent	Colour Temperature	Lifetime	CRI	Voltage	Beam Angle	Dimmable	Base
LPAR16a Flood	A	350 lm	6W	25W	2700 / 3000 K 4000 / 6500 K	15000 hrs	≥80	220~240V	110°	No	GU10
LPAR16b Flood	A	320 lm	4.5W	28W	2700 / 3000 K 4000 / 6500 K	15000 hrs	≥80	220~240V	110°	No	GU10
		400 lm	6W	32W							
LPAR16a1 Spot	A+	200 lm	4W	20W	2700 / 3000 K 4000 / 6500 K	25000 hrs	≥80	220~240V	35°	No	GU10
		250 lm	5W	35W							
LPAR16a2 Spot	A+	300 lm	5W	35W	2700 / 3000 K 4000 / 6500 K	25000 hrs	≥80	220~240V	35°	Optional	GU10
	A	385 lm	6W	50W							
LPAR16b Spot	A+	275 lm	4W	35W	2700 / 3000 K 4000 / 6500 K	15000 hrs	≥80	220~240V	35°	No	GU10



LPAR16a Flood	
GU10	Ø50 x 55 mm
LPAR16b Flood	
GU10	Ø50 x 55 mm

LPAR16a1 Spot	
GU10	Ø50 x 57 mm
LPAR16a2 Spot	
GU10	Ø50 x 55 mm

LPAR16b Spot	
GU10	Ø50 x 51 mm

CE RoHS REACH ErP

Tolerance of product dimension Length ± 2mm / Diameter ± 0.5mm

Luxtek®





## LED Retrofit Lamps Dichroic Reflector series

### Technical Advantages

- Long lifespan
- High luminous efficacy
- High energy efficiency
- High colour rendering
- Save 80-90% energy compare with low voltage halogen dichroic

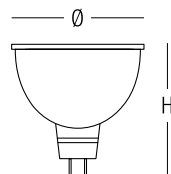
### Product features

- Direct replacement of traditional reflectors
- Various colour temperatures available
- Excellent heat disperse

Model No.	Energy Class	Lumen	Wattage	Incandescent Equivalent	Colour Temperature	Lifetime	CRI	Voltage	Beam Angle	Dimmable	Base
LMR16a Flood	A	210 lm	4W	20W	2700 / 3000 K 4000 / 6500 K	15000 hrs	≥80	12V DC	110°	No	GU5.3
		380 lm	7W	35W							
LMR16b Flood	A+	310 lm	4W	20W	2700 / 3000 K 4000 / 6500 K	15000 hrs	≥80	12V DC	110°	No	GU5.3
	A	375 lm	6W	35W							
LMR16a1 Spot	A	210 lm	4W	20W	2700 / 3000 K 4000 / 6500 K	25000 hrs	≥80	12V DC	35°	No	GU5.3
LMR16a2 Spot	A+	300 lm	5W	20W	2700 / 3000 K 4000 / 6500 K	25000 hrs	≥80	12V DC	35°	No	GU5.3
		385 lm	6W	35W							
LMR16b Spot	A+	255 lm	4W	25W	2700 / 3000 K 4000 / 6500 K	15000 hrs	≥80	12V DC	35°	No	GU5.3



Tolerance of product dimension Length ± 2mm / Diameter ± 0.5mm



LMR16a Flood	
GU5.3	Ø50 x 48 mm
LMR16b Flood	
GU5.3	Ø50 x 48 mm

LMR16a1 Spot	
GU5.3	Ø50 x 50 mm
LMR16a2 Spot	
GU5.3	Ø50 x 50 mm

LMR16b Spot	
GU5.3	Ø50 x 48 mm



Address : 1/F Green 18, No.18 Science Park  
East Avenue, Shatin, Hong Kong

Tel : (852) 23452772    Web : [www.stll.com](http://www.stll.com)  
Fax : (852) 23574860    Email : [info@stll.com](mailto:info@stll.com)

